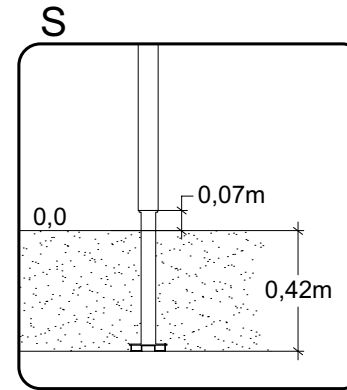
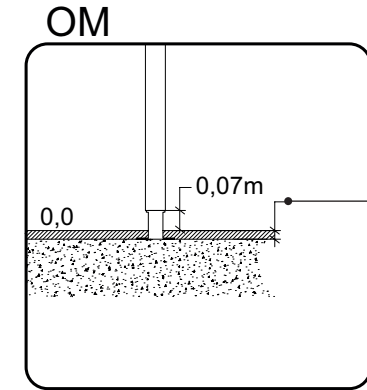


MASW113733

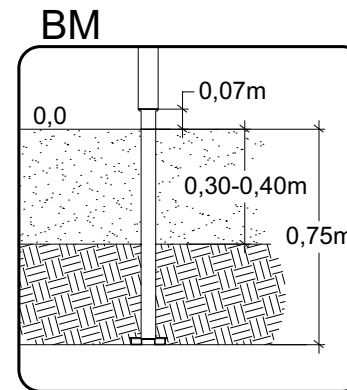
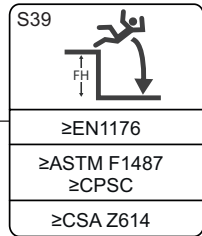
**260329**  
**6099**  
**6101**  
**6342**  
**612313**  
**620995**  
**655410**  
**676106**  
**6342BM**  
**MA612110**  
**MA612110\_OM**  
**MA692213**  
**MASW113733**  
**MASW121245**  
**MASW35156**  
**MASW44481**  
**MASW46033**  
**MASW78431**  
**MASW79955**  
**MASW81273**  
**MASW53974**  
**OM6342**



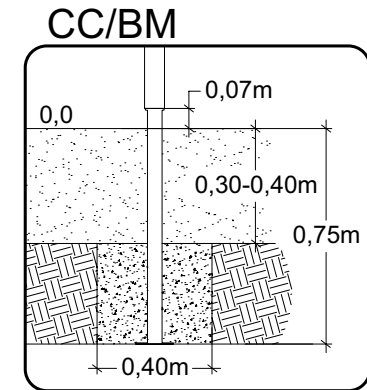
**S**  
**Sunken Foundation**  
 8055758



**OM**  
**Above Ground**  
 8055768

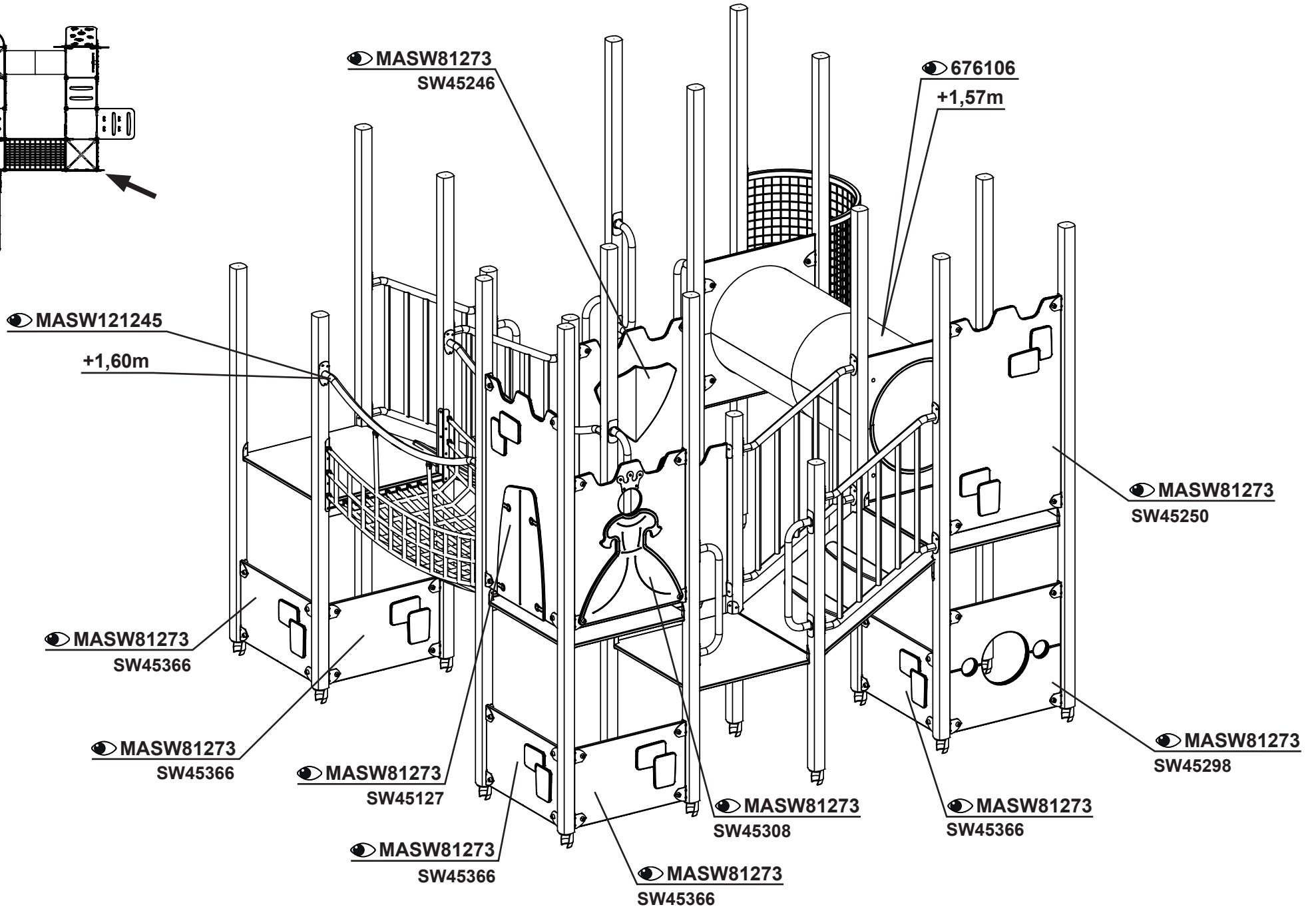
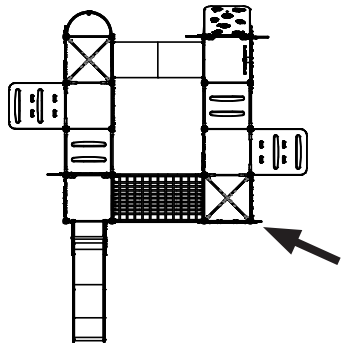


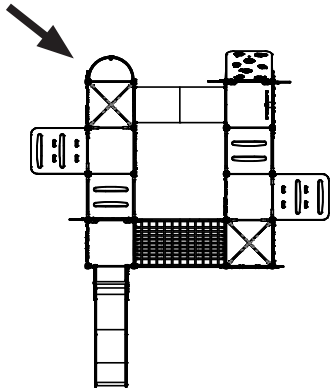
**BM**  
**Loosefill**



**CC/BM**  
**Cast Loosefill**







MASW81273  
SW45301

MASW81273  
SW45243

MASW53974  
SW45928

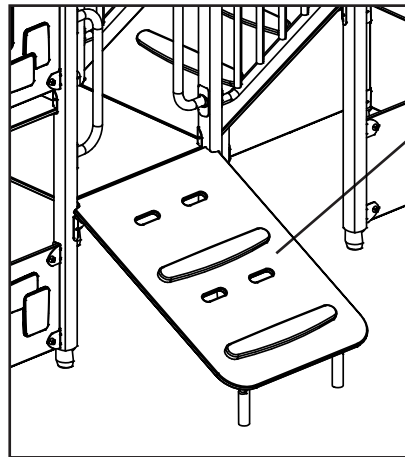
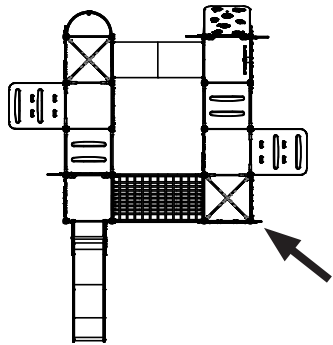
MASW81273  
SW45322

MASW81273  
SW45366

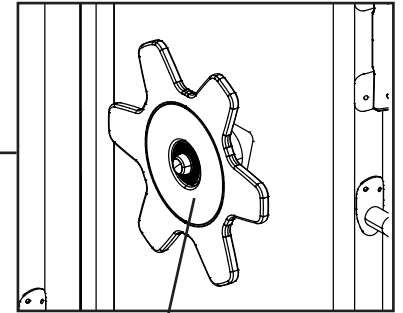
MASW81273  
SW45366

MASW81273  
SW45366

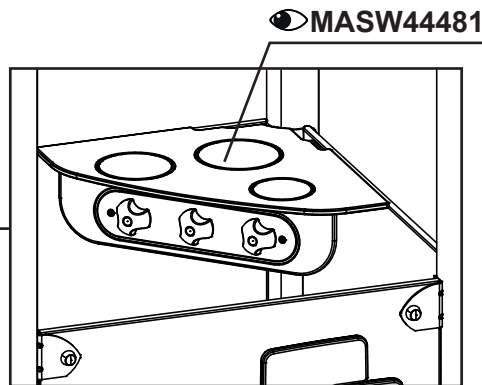
MASW81273  
SW45157



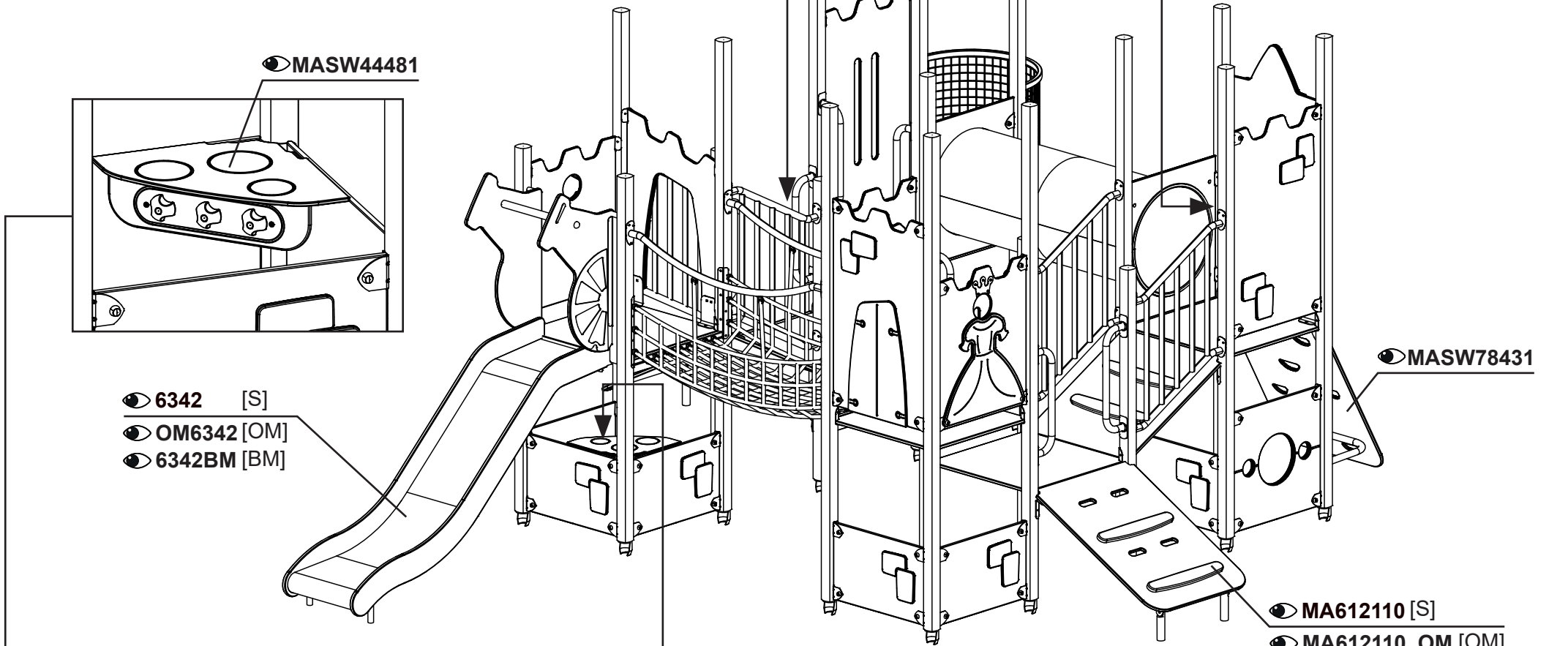
- MA612110 [S]
- MA612110\_OM [OM]



- MASW35156



- MASW44481

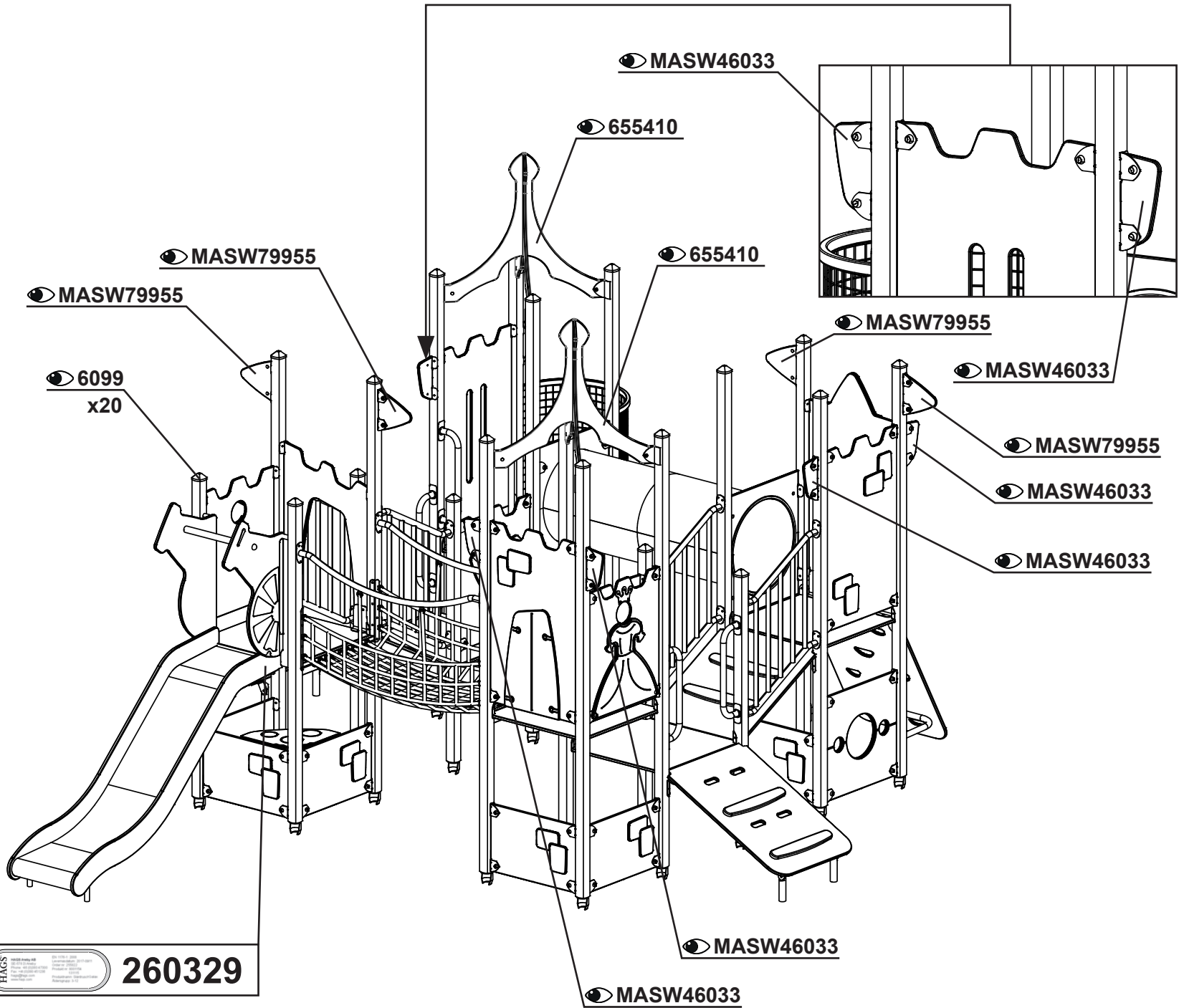
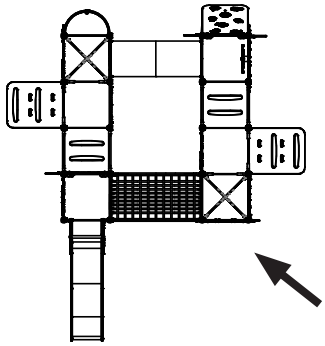


- 6342 [S]
- OM6342 [OM]
- 6342BM [BM]

- MASW78431

- MA612110 [S]
- MA612110\_OM [OM]






**260329**